



SPLASHGUARDS

Splashguards

ALTO/CLARKE

TO FIT MACHINE	GRACO#	OEM#	PCS PER SET	DESCRIPTION
*	AL-1-SP	8-25-08076	*	Flap
*	AL-2-SP	8-25-08081	*	Flap
*	AL-3-SP	8-25-08086	*	Flap
750	AL-750-S	7-25-08016	1	Splashguard Blade
VISION 21I	C-21V-SL	38236A	1	Skirt L.H.
VISION 21I	C-21V-SR	38235A	1	Skirt R.H.
VISION 26I, 26IX	C-26V-SL	38222A	1	Skirt L.H.
VISION 26I, 26IX	C-26V-SR	38223A	1	Skirt R.H.
VISION 32I, 32IX	C-32V-SR	38224A	1	Skirt L.H.
VISION 32I, 32IX	C-32V-SL	38225A	1	Skirt, L.H.

HOOVER

TO FIT MACHINE	GRACO#	OEM#	PCS PER SET	DESCRIPTION
Scrub Max 26"	HV-6075-S	59187110		Splashguard

KENT

TO FIT MACHINE	GRACO#	OEM#	PCS PER SET	DESCRIPTION
KE-20	K-20E-S	47578	*	Splashguard Blade
KE-20	K-20E-S2	*	*	Splashguard Set

NILFISK/ADVANCE

TO FIT MACHINE	GRACO#	OEM#	PCS PER SET	DESCRIPTION
17E	AD-17-S	56384924	1	Splashguard Blade
	AD-17-S2	*	2	Splashguard Set
18B	AD-18-SL	56395633	1	Splashguard Blade (Left)
	AD-18-SR	56395684	1	Splashguard Blade (Right)
20E	AD-20-S	56382019	1	Splashguard Blade
	AD-20-S2	*	2	Splashguard Set
21B,24B	AD-24-S	56377872	1	Splashguard Blade
	AD-24-S2	*	2	Splashguard Set
26B	AD-26-S	56551127	1	Splashguard Blade
	AD-26-S2	*	2	Splashguard Set
260B	AD-260-FS	56372876	1	Front Skirt
	AD-260-RS	56372920	1	Rear Skirt
TRAC 280 BHD	AD-280-S	56376076	*	Splashguard Blade
285LX	AD-285-SL	56391972	1	Left Skirt
	AD-285-SR	56391971	1	Right Skirt
32	AD-32-S	56381349	1	Splashguard Blade
	AD-32-S2	*	2	Splashguard Set
	AD-320-S	56391304	1	Splashguard Blade
325LX, 385LX	AD-325-SL	56392097	1	Left Skirt
	AD-325-SR	56392098		Right Skirt
38	AD-38-S	56400289	1	Splashguard Blade
	AD-38-S2	*	2	Splashguard Set



NILFISK/ADVANCE

TO FIT MACHINE	GRACO#	OEM#	PCS PER SET	DESCRIPTION
380BHD	AD-380-S	56377360	1	Splashguard Blade
5000B	AD-5000-SL	56453822	1	Splashguard Left
	AD-5000-SR	56453606	1	Splashguard Right
2000B	AD-200-L	56388404	1	(Neo) Skirt 19-7/8" Long-9 Holes
	AD-200-R	56388402	1	(Neo) Skirt 37-1/4" Long-11 Holes
200B, BD, LX	AD-200-S	56382905	1	(Neo) Skirt
TWIN 2000	AD-T2000-S	56389143	1	Skirt
HYDRORETRIEVER 3200/2800	AD-CYL-S	56407447	1	Skirt, Cylindrical Scrub Head (1-SIDE)
HYDRORETRIEVER 3800/2042	AD-CYLR-S	56410335	1	Skirt, Cylindrical Scrub Head, 3/8" Linatex (1-SIDE)

NSS

TO FIT MACHINE	GRACO#	OEM#	PCS PER SET	DESCRIPTION
Charger 2000bp	NSS-2000-S	44-216-1	*	(Neo) 52" Long-11 Holes
Wrangler 27 & 33	NSS-27-S	27-067-1	*	(Neo) 23-3/4" Long-6 Holes
Wrangler 27 F/b, 33 F/b	NSS-27-2	26-106-1	2	Urethane Squeegee Set
Wrangler 33	NSS-33-S	2693151		Wrangler 33

TENNANT-NOBLES

TO FIT MACHINE	GRACO#	OEM#	PCS PER SET	DESCRIPTION
2400 Speedscrub	N-2400-S	240271		Splash Guard (Ss24)
3301 Speedscrub	N-3301-S	240276		Splash Guard Ss3301
2701 Speedscrub	N-2701-S	240277		Splash Guard Ss2701
2601 Speedscrub	N-2601-S	600294		Splash Guard 26"
2401 Speedscrub	N-2401-S	600295		Splash Guard 24"

**SQUEEGEES****AMERICAN LINCOLN**

TO FIT MACHINE	GRACO#	OEM#	SIZE	MATERIAL	# OF BLADES
225	AL-225-5		Squeegee Set		5
530B	AL-560-2	0252708	Squeegee Set		2
	AL-560-2S		Squeegee Set		1
	AL-560-2SA		2-1/2"x1/8"x32-1/4" - 8 Hls/9 Ntchs/8 Slts	C.I. Neo	1
	AL-560-2A	7-77-00028	2-1/2"x1/4"x34" - 8 Holes	Tan Gum	1
	AL-560-2B	7-77-00029	2-1/2"x1/8"x33" - 8 Holes/4 Slots	Black C.I.	1
	AL-560-2AN	7-77-00033	2-1/2"x1/4"x34" - 8 Holes	Neo	1
	AL-560-2SB	7-77-00039	2-1/2 X1/8x32-1/4" - 9 Notches & 8 Slits T&B	C.I. Neo	1
538B	AL-538-2		Squeegee Set		2
	AL-538-2A	7-77-00044	2-1/2"x1/4"x41-3/4" - 10 Holes	Gum	1
	AL-538-2B	7-77-00045	2-1/2"x1/8"x40-1/4" - 10 Holes 2 Notches T&B	C.I.Neo	1
	AL-538-2AN	7-77-00046	2-1/2"x1/4"x41-3/4" - 10 Holes	Neo	1
6200	AL-62-4		Squeegee Set		4
	AL-62-4C	7-25-08044	4-3/16"x3/8"x26" - 5 Holes	Tan Gum	1
	AL-62-4A	7-77-00076	2-1/4"x1/4"54-1/4" - No Holes	Tan Gum	1
	AL-62-4B	7-77-00077	2-1/8"x1/8"x51-1/2" - 16 Slots	Urethane	1
7000	AL-70-5		Squeegee Set		5
	AL-70-5A	7-77-00057	3-1/4"x1/4"x65" - Strip	Tan Gum	1
	AL-70-5B	7-77-00058	3-1/4x1/8"x31-1/4" - 7 Holes	Neo	1
	AL-70-5C	7-77-00060	3-1/2"x3/8"x22" - 7 Holes	Tan Gum	1
	AL-70-5D	7-77-00066	3-1/2"x3/8"x29" - 8 Holes	Tan Gum	1
719B	AL-19-2		Squeegee Set		2
	AL-19-2A	7-77-00030	2-1/2"x1/4"x22-1/2" - 6 Holes	Gum	1
	AL-19-2B	7-77-00031	2-1/2"x1/8"x21-1/4" - 6 Holes; 2 Notches T&B	C.I. Neo	1
721B	AL-21-2		Squeegee Set		2
	AL-21-2B	7-77-00026	2-1/2"x1/8"x25-1/2" - 6 Holes & 4 Slots	Black C.I.	1
	AL-21-2A	7-77-00027	2-1/2"x1/4"x27" - 6 Holes	Tan Gum	1
	AL-21-2AN	7-77-00032	2-1/2"x1/4"x27" - 6 Holes	Neo	1
726B	AL-726-2		Squeegee Set		2
	AL-726-2A	7-77-00037	2-1/2"x1/4"x30-1/2" - 8 Holes	Tan Gum	1
	AL-726-2B	7-77-00038	2-1/2"x1/8"x29" - 8 Holes 2 Notches T&B	C.I.Neo	1
	AL-726-2AN	7-77-00043	2-1/2"x1/4"x30-1/2" - 8 Holes	Neo	1
750B	AL-750-2		Squeegee Set		2
	AL-750-S	7-25-08016	Splashguard Blade		1
	AL-750-2B	7-77-00056	2-1/2"x1/8"x26-1/2" - 8 Holes & 12 Slots	Black C.I.	1



AMERICAN LINCOLN

TO FIT MACHINE	GRACO#	OEM#	SIZE	MATERIAL	# OF BLADES
7700	AL-77-8	0252020	Squeegee Set		8
	AL-77-8B	0228689	3-1/4"x1/8"x31-9/16" - 7 Holes	Urethane	1
	AL-77-8C	0228683	3-3/4"x1/8"x62" - 6 Notches	Urethane	1
	AL-77-8D	0228682	4"x3/8"x33" - 8 Holes	Tan Gum	1
	AL-77-8E	7-77-00070	3-3/4"x1/8"x33" - 8 Holes	Urethane	1
772B	AL-772-2		Squeegee Set		2
	AL-772-2B	7-77-00035	2-1/2"x1/4"x46-1/2" - 11 Holes/19 Slots	Tan Gum	1
	AL-772-2A	7-77-00036	2-1/2"x1/4"x46-1/2" - 11 Holes	Tan Gum	1
930B	AL-930-2A	0229483	2"x3/16"x39-7/8"	Tan Gum	1
	AL-930-2B	0229484	1-7/8"x1/8"x38-3/4" - 8 Slots	Urethane	1
934B	AL-934-2	1705850	Squeegee Set		2
	AL-934-2A	7-77-00081	2"x3/16"x38-1/2" - No Holes	Tan Gum	1
	AL-934-2B	7-77-00082	1-5/15"x1/8"x35-7/8" - 8 Notches	Urethane	1
950	AL-950-5		Squeegee Set		5
	AL-726-2A	7-77-00037	2-1/2"x1/4"x30-1/2" - 8 Holes	Tan Gum	1
	AL-950-C	7-77-00055	2 1/2"x1/8"x30 1/4" - 8 Holes	Neo	1
	AL-750-2B	7-77-00056	2-1/2"x1/8"x26-1/2" - 8 Holes/12 Slots	Black C.I.	1

ALTO/CLARKE

Encore 2426	C-242632-2B	30066A	32" Blade, Front	Ribbed	1
	C-242632-2A	30067A	32" Blade, Rear	Gum	1
	C-242639-2A	30069A	39" Blade, Rear	Gum Rubber	1
	C-242639-2B	30091A	39" Blade, Front	Ribbed	1
Encore L20	C-21V-2A	30931A	2"x3/16"x28", Strip	Tan Gum	1
	C-20EL-2A	30946A	2"x3/16"x32 1/2" (33)	Tan Gum	1
	C-20EL-2B	30950A	2"x1/8"x30" (33)	Ridged Urethane	1
	C-20E-2B	30951A	2"x1/8"x26"	Ridged Urethane	1
Encore L28	C-26V-2	0223802	Squeegee Set		2
	C-26V-2A	30912A	2"x3/16"x38-1/2" - No Holes	Tan Gum	1
	C-26V-2B	30914A	1-7/8"x1/8"x35-7/8" - 8 Notches	Neo	1
	C-21V-2B	30930A	1-15/16"x1/8"x25-7/8" - 10 Holes	Neo	1
	C-21V-2A	30931A	2"x3/16"x28"- Strip	Tan Gum	1
Encore L33	C-32V-2	0223801	Squeegee Set		2
	C-32V-2A	0223142	2"x3/16"x41-5/16" - No Holes	Tan Gum	1
	C-32V-2B	0223143	1-7/8"x1/8"x39-3/4" -12 Notches	Neo	1



ALTO/CLARKE CONT.

TO FIT MACHINE	GRACO#	OEM#	SIZE	MATERIAL	# OF BLADES
Encore L38	C-38V-2		Squeegee Set		2
	C-38V-2B	30934A	1-7/8"x1/8"x45-1/2" - No Hls/9 Ntchs T&B	Neo	1
	C-38V-2A	30935A	2-1/8"x3/16"x48" - No Holes	Gum	1
Encore S20	C-21V-2A	30931A	2"x3/16"x28" - Strip	Tan Gum	1
	C-20EL-2A	30946A	2"x3/16"x32 1/2" (33)	Tan Gum	1
	C-20EL-2B	30950A	2"x1/8"x30" (33)	Ridged Urethane	1
	C-20E-2B	30951A	2"x1/8"x26"	Ridged Urethane	1
Encore S28	C-26V-2		Squeegee Set		2
	C-26V-2A	30912A	2"x3/16"x38-1/2" - No Holes	Tan Gum	1
	C-26V-2B	30914A	1-7/8"x1/8"x35-7/8" - 8 Notches	Neo	1
	C-21V-2B	30930A	1-15/16"x1/8"x25-7/8" - 10 Holes	Neo	1
	C-21V-2A	30931A	2"x3/16"x28" - Strip	Tan Gum	1
Encore S33	C-32V-2		Squeegee Set		2
	C-32V-2A	30913A	2"x3/16"x41-5/16" - No Holes	Tan Gum	1
	C-32V-2B	30915A	1-7/8"x1/8"x39-3/4" - 12 Notches	Neo	1
Encore S38	C-38V-2		Squeegee Set		2
	C-38V-2B	30934A	1-7/8"x1/8"x45-1/2" - No Hls/9 Ntchs T&B	Neo	1
	C-38V-2A	30935A	2-1/8"x3/16"x48" - No Holes	Gum	1
L2426, L25HD	C-242632-2		32" Blade, Set 2426		2
	C-242639-2		39" Blade, Set 2426		2
	C-242632-2B	30066A	32" Blade, Front	Ribbed	1
	C-242632-2A	30067A	32" Blade, Rear	Gum	1
	C-242639-2A	30069A	39" Blade, Rear	Gum Rubber	1
	C-242639-2B	30091A	39" Blade, Front	Ribbed	1
Leader 1700B	C-2000-2		Squeegee Set		2
	C-2000-2A	0226040	2-3/8"x1/8"x29" - 9 Holes	Tan Gum	1
	C-2000-2B	0226045	2-5/16"x1/8"x29" - 9 Holes/18 Slots	Tan Gum	1
Leader 2000B	C-2000-2		Squeegee Set		2
	C-2000-2A	0226040	2-3/8"x1/8"x29" - 9 Holes	Tan Gum	1
	C-2000-2B	0226045	2-5/16"x1/8"x29" - 9 Holes/18 Slots	Tan Gum	1
Leader 2400	C-2400-3	0225215	Squeegee Set		3
	C-60-3A	0225011	30-1/2" Long - 9 Holes	Tan Gum	1
	C-60-3B	0225012	2-1/8"x3/16"x31" - 9 Holes	Neo	1
	C-2400-3C	0225005	1-5/8"x1/8"x26-1/2" - 7 Holes	Ridged Urethane	1
Leader 2400 Deluxe	C-2400-3	0225215	Squeegee Set		3
	C-60-3A	0225011	30-1/2" Long - 9 Holes	Tan Gum	1
	C-60-3B	0225012	2-18"x3/16"x31" - 9 Holes	Neo	1
	C-2400-3C	0225005	1-5/8"x1/8"x26-1/2" - 7 Holes	Ridged Urethane	1



ALTO/CLARKE CONT.

TO FIT MACHINE	GRACO#	OEM#	SIZE	MATERIAL	# OF BLADES
Leader 2400 II	C-2400-3	0225215	Squeegee Set		3
	C-60-3A	0225011	30-1/2" Long - 9 Holes	Tan Gum	1
	C-60-3B	0225012	2-1/8"x3/16"x31" - 9 Holes	Neo	1
	C-2400-3C	0225005	1-5/8"x1/8"x26-1/2" - 7 Holes	Ridged Urethane	1
Leader 2400d II	C-2400-3	0225215	Squeegee Set		3
	C-60-3A	0225011	30-1/2" Long - 9 Holes	Tan Gum	1
	C-60-3B	0225012	2-1/8"x3/16"x31" - 9 Holes	Neo	1
	C-2400-3C	0225005	1-5/8"x1/8"x26-1/2" - 7 Holes	Ridged Urethane	1
Leader 2400ds	C-2400-3	0225215	Squeegee Set		3
	C-60-3A	0225011	30-1/2" Long - 9 Holes	Tan Gum	1
	C-60-3B	0225012	2-1/8"x3/16"x31" - 9 Holes	Neo	1
	C-2400-3C	0225005	1-5/8"x1/8"x26-1/2" - 7 Holes	Ridged Urethane	1
Leader 2400	C-2400-3	0225215	Squeegee Set		3
Ds II	C-60-3A	0225011	30-1/2" Long - 9 Holes	Tan Gum	1
	C-60-3B	0225012	2-1/8"x3/16"x31" - 9 Holes	Neo	1
	C-2400-3C	0225005	1-5/8"x1/8"x26-1/2" - 7 Holes	Neo	1
Leader 3200	C-3200-3	0225163	Squeegee Set		3
Deluxe	C-80-3A	0225014	2-1/2"x1/4"x37" - 17 Holes	Tan Gum	1
	C-80-3B	0225015	2-1/8"x3/16"x36-1/2" - 17 Holes	Neo	1
	C-3200-3C	830708	1-5/8"x1/8"x33-3/4" - 13 Holes	Ridged Urethane	1
Leader 3200 II	C-3200-3	0225163	Squeegee Set		3
	C-80-3A	0225014	30-1/2" Long - 9 Holes	Tan Gum	1
	C-80-3B	0225015	2-1/8"x3/16"x31" - 9 Holes	Neo	1
	C-3200-3C	830708	1-5/8"x1/"x33-3/4" - 13 Holes	Ridged Urethane	1
Leader 3200D II	C-3200-3	0225163	Squeegee Set		3
	C-80-3A	0225014	30-1/2" Long - 9 Holes	Tan Gum	1
	C-80-3B	0225015	2-1/8"x3/16"x31" - 9 Holes	Neo	1
	C-3200-3C	830708	1-5/8"x1/8"x33-3/4" - 13 Holes	Ridged Urethane	1
PE20	C-20-3		Squeegee Set		3
	C-20-3A	880751	2-3/4"x3/16"x23-1/2" - 7 Holes	Tan Gum	1
	C-20-3B	880750	2-1/4"x3/16"x23-1/2" - 11 Holes	Neo	1
	C-20-3C	880752	2-1/8"x1/8"x20-1/2" - 7 Holes	C.I. Black	1
PS20BP	C-20-3		Squeegee Set		3
	C-20-3A	880751	2-3/4"x3/16"x23-1/2" - 7 Holes	Tan Gum	1
	C-20-3B	880750	2-1/4"x3/16"x23-1/2" - 11 Holes	Neo	1
	C-20-3C	880752	2-3/8"x1/8"x20-1/2" - 7 Holes	C.I. Black	1



ALTO/CLARKE CONT.

TO FIT MACHINE	GRACO#	OEM#	SIZE	MATERIAL	# OF BLADES
RO 42 Sweeper	C-42-2		Squeegee Set		2
	C-42-2A	850741	3-1/4"x1/4"x49-1/2" - 13 Holes	Gum	1
	C-42-2B	850742	2-1/4"x1/8"x49-1/2" - 13 Holes	C.I. Neo	1
S2426	C-242632-2		32" Blade, Set 2426		2
	C-242639-2		39" Blade, Set 2426		2
	C-242632-2B	30066A	32" Blade, Front	Ribbed	1
	C-242632-2A	30067A	32" Blade, Rear	Gum	1
	C-242639-2A	30069A	39" Blade, Rear	Gum Rubber	1
	C-242639-2B	30091A	39" Blade, Front	Ribbed	1
Squeegee Tool	C-20T-5	680705	Squeegee Set 20" Squeegee Tool		5
	C-14T-5	680724	Squeegee Set 14" Squeegee Tool		5
TB-16	C-16-3		Squeegee Set		3
	C-16-3C	810780	2-1/8"x1/8"x17" - 5 Hls/3 Ntchs T&B	C.I. Neo	1
	C-16-3A	810781	2-1/2"x3/16"x19-5/8" - 5 Holes	Gum	1
	C-16-3B	810782	1-1/2"x3/16"x19-5/8" - 5 Holes	Neo	1
TB-18	C-20-3		Squeegee Set		3
	C-20-3A	880751	2-3/4"x3/16"x23-1/2" - 7 Holes	Tan Gum	1
	C-20-3B	880750	2-1/4"x3/16"x23-1/2" - 11 Holes	Neo	1
	C-20-3A	30925A	2-3/4"x3/16"x23-1/2" - 7 Holes	Tan Gum	1
	C-20-3C	880152	2-3/8"x1/8"x20-1/2" - 7 Holes	C.I. Black	1
TB-20EL	C-21-3	9991852	Squeegee Set		3
	C-21-3B	0218040	1-5/8"x1/4"x25" - 7 Holes	Neo	1
	C-21-3C	0218044	2-3/8"x1/8"x21-1/2" - 7 Holes	Black C.I.	1
	C-21-3A	0218048	2-3/4"x3/16"x25"	Tan Gum	1
TB-21	C-21-3	9991852	Squeegee Set		3
	C-21-3B	0218040	1-5/8"x1/4"x25" - 7 Holes	Neo	1
	C-21-3C	0218044	2-3/8"x1/8"x21-1/2" - 7 Holes	Black C.I.	1
	C-21-3A	0218048	2-3/4"x3/16"x25" - 7 Holes	Tan Gum	1
TB-24	C-24-3	0224071	Squeegee Set		3
	C-24-3AN	800753	2-3/4"x3/16"x30-1/2" - 9 Holes	Neo	1
	C-24-3A	0224050	30-3/4" Long - 9 Holes	Tan Gum	1
	C-24-3B	0224072	2-1/4"x3/16"x30-5/8" - 9 Holes	Neo	1
	C-24-3C	0224076	2-1/8"x1/8"x28" - 9 Holes	Black C.I.	1
TB-32A	C-32-3	0215077	Squeegee Set		3
	C-32-3C	0215072	2-1/4"x1/8"x35" - 9 Holes	C.I. Black	1
	C-32-3A	0215076	2-1/2"x3/16"x36-3/4" - 11 Holes	Tan Gum	1
	C-32-3B	0215068	2-1/8"x3/16"x37" - 11 Holes	Neo	1

Squeegees



ALTO/CLARKE CONT.

TO FIT MACHINE	GRACO#	OEM#	SIZE	MATERIAL	# OF BLADES
TB-60	C-60-3	0225164	Squeegee Set		3
	C-60-3A	0225011	30-1/2" Long - 9 Holes	Tan Gum	1
	C-60-3C	0225013	1-1/4"x1/8"x28" - 7 Holes	Black C.I.	1
TB-80	C-80-3	0225081	Squeegee Set		3
	C-80-3A	0225014	2-1/2"x1/4"x37" - 17 Holes	Tan Gum	1
	C-80-3C	0225016	1-3/8"x1/8"x35" - 13 Holes	Black C.I.	1
Vision 20B	C-2000-2		Squeegee Set		2
	C-2000-2A	0226040	2-3/8"x1/8"x29" - 9 Holes	Tan Gum	1
	C-2000-2B	0226045	2-5/16"x1/8"x29" - 9 Holes/18 Slots	Tan Gum	1
Vision 20BT	C-2000-2		Squeegee Set		2
	C-2000-2A	0226040	2-3/8"x1/8"x29" - 9 Holes	Tan Gum	1
	C-2000-2B	0226045	2-5/16"x1/8"x29" - 9 Holes/18 Slots	Tan Gum	1
Vision 21I	C-21V-2		Squeegee Set		2
	C-21V-2B	30930A	1-15/16"x1/8"x25-7/8" - 10 Holes	Neo	1
	C-21V-2A	30931A	2"x3/16"x28" - Strip	Tan Gum	1
Vision 26I	C-26V-2	0223802	Squeegee Set		2
	C-26V-2A	30912A	2"x3/16"x38-1/2" - No Holes	Tan Gum	1
	C-26V-2B	30914A	1-7/8"x1/8"x35-7/8" - 8 Notches	Neo	1
Vision 26IX	C-26V-2	0223802	Squeegee Set		2
	C-26V-2A	30912A	2"x3/16"x38-1/2" - No Holes	Tan Gum	1
	C-26V-2B	30914A	1-7/8"x1/8"x35-7/8" - 8 Notches	Neo	1
Vision 32I	C-32V-2	0223801	Squeegee Set		2
	C-32V-2A	0223142	2"x3/16"x41-5/16" - No Holes	Tan Gum	1
	C-32V-2B	0223143	1-7/8"x1/8"x39-3/4" - 12 Notches	Neo	1
Vision 32IX	C-32V-2	0223801	Squeegee Set		2
	C-32V-2A	0223142	2"x3/16"x41-5/16" - No Holes	Tan Gum	1
	C-32V-2B	0223143	1-7/8"x1/8"x39-3/4" - 12 Notches	Neo	1
Vision 38I	C-38V-2		Squeegee Set		2
	C-38V-2B	30934A	1-7/8"x1/8"x45-1/2"-No Hls/9 Ntchs T&B	Neo	1
	C-38V-2A	30935A	2-1/8"x3/16"x48" - No Holes	Gum	1

EAGLE POWER BLADES

TO FIT MACHINE	GRACO#	OEM#	SIZE	MATERIAL	# OF BLADES
Panther 28/32	E-2832-2				2
	E-2832-2A	SL03563		Rear Red	1
	E-2832-2B,	SL03563		Front Gum	1



BREUER

TO FIT MACHINE	GRACO#	OEM#	SIZE	MATERIAL	# OF BLADES
A317	B-317-6		Squeegee Set		6
Floorkeeper	B-9930-2C	17248	1-3/4"x1/4"x27-1/4" - 8 Holes 5 V Notches	Gum	1
26	B-9930-2B	17249	2-5/8"x1/4"x31-7/8" - 10 Holes	Gum	1
	B-9930-2A	17261	2-5/8"x3/16"x31-7/8" - 10 Holes	Gum	1
Floorkeeper	B-3500-2B	3481	2-5/8"x3/16"x19" - 6 Hls/3v Ntchs T&B	Neo	1
3500	B-3500-2A	3482	3"x3/16"x20-3/4" - 6 Holes	Neo	1
	B-3500M-2B	5422	2"x1/4"x19" - 6 Holes/3v Ntchs T&B	Neo	1
	B-3500M-2A	5423	2-5/8"x1/4"x21" - 6 Holes	Neo	1
Floorkeeper	B-9200-2		Squeegee Set		2
9200	B-9200-2B	13386	1-7/8"x1/4"x21" - 8 Holes	Gum	1
	B-9200-2A	13387	2-3/4"x1/4"x27-3/8" - 8 Holes	Gum	1
Floorkeeper	B-9300-2		Squeegee Set		2
9300	B-9300-2B	3838	1-3/4"x1/4"x25" - 8 Holes/5 Slots	Tan Gum	1
	B-9300-2A	3839	2-5/8"x1/4"x30" - 10 Holes	Tan Gum	1
Floorkeeper	B-9320-2		Squeegee Set		2
Floorkeeper	B-9350-2		Squeegee Set		2
9351	B-9350-2A	16691	1-3/4"x1/4"x34" - 12 Holes/7 Notches	Tan Gum	1
	B-9350-2B	16692	2-5/8"x3/16"x36-3/4" - 12 Holes	Tan Gum	1
Floorkeeper	B-9400-2		Squeegee Set		2
9400	B-9400-2B	10470	1-3/4"x1/4"x34" - 10 Holes/7 Slots	Tan Gum	1
	B-9400-2A	10471	2-5/8"x1/4"x39" - 12 Holes	Tan Gum	1
Floorkeeper	B-9420-2		Squeegee Set		2
9421	B-9945-2B	16259	2-5/8"x3/16"x39-1/2" - 12 Holes	Tan Gum	1
	B-9945-2A	16260	1-3/4"x1/4"x35-1/2" - 12 Holes/7 Slots	Tan Gum	1
Floorkeeper	B-9945-2		Squeegee Set		2
9940	B-9945-2B	16259	1-3/4"x1/4"x42" - 14 Holes/7 Slots	Tan Gum	1
	B-9945-2A	16260	2-5/8"x3/16"x45-1/2" - 14 Holes	Tan Gum	1

FACTORY CAT

TO FIT MACHINE	GRACO#	OEM#	SIZE	MATERIAL	# OF BLADES
35	F-35-2		Squeegee Set		2
	F-35-2A	7-753G	2-1/2x3/16"x46-3/4" Rear Sq. Blade	Gum	1
	F-35-2B	7-756G	2-1/2x3/16"x46-3/4" Front Sq. Blade	Gum	1



Squeegees

GRACO

TO FIT MACHINE	GRACO#	OEM#	SIZE	MATERIAL	# OF BLADES
S24	GW-24-2		Set, Blades Red Linatex		2
S26	GW-24-2		Set, Blades Red Linatex		2
S28	GW-34-2		Set, Blades Red Linatex		2
S34	GW-34-2		Set, Blades Red Linatex		2
Saturn 16	G-16-3	516708	Squeegee Set		3
	G-16-3B	F713852	1-3/8"x3-16"x27" - No Holes/7 Arches Bottom	Neo	1
	G-16-3A	F716856	1-3/4"x3-16"x27" - No Holes/7 Arches Bottom	Gum	1
Saturn 24	G-24-3		Squeegee Blade Set (3)		3
	G-24-3C	750701	2"x1/8"x33-3/4" - 11 Holes/2 Slits	Tan Gum	1
	G-24-3A	755159	3"x1/4"x31-5/16" - 6 Holes	Tan Gum	1
Saturn 32	G-24-3B	755160	1-3/4"x3/16"x31-1/2" - 6 Holes	Neo	1
	G-32-3		Squeegee Blade Set (3)		3
	G-32-3C	705702	2"x1/8"x40" - 11 Holes/4 Slits	Tan Gum	1
	G-32-3A	755163	3"x1/4"x38-3/8" - 10 Holes	Tan Gum	1
	G-32-3B	755164	1-3/4"x3/16"x37-1/2" - 10 Holes	Neo	1

HOOVER

TO FIT MACHINE	GRACO#	OEM#	SIZE	MATERIAL	# OF BLADES
Scrub Max	HV-6075-3C	39512003	2-1/8"x39"x3/16" - 14 Holes Front	Gum	1
26, 32	HV-6075-3A	39512004	1-1/2"x38"x3/16" - 14 Holes Rear	Neo	1
	HV-6075-3B	39512005	2"x39"x3/16" - 14 Holes Rear Back Up	Gum	1

MINUTEMAN

TO FIT MACHINE	GRACO#	OEM#	SIZE	MATERIAL	# OF BLADES
170 Floor Scrubber	HK-170-1	430077	4-1/4"x3/16"x27-1/4" - 9 Hls/12 Ntchs Bottom	Gum	1
200 Floor Scrubber	MM-200-2		Squeegee Set Mm200		2
	MM-200-2A	210352	2-1/4"x36"x3/16" - 8 Holes Rear Blade	Gum	1
	MM-200-2B	210354	2"x34-1/2"x1/8" - 8 Holes/13 Notches Front	Gum	1
205 Floor Scrubber	MM-200-2		Squeegee Set Mm200		2
	MM-200-2A	210352	2-1/4"x36"x3/16" - 8 Holes Rear Blade	Gum	1
	MM-200-2B	210354	2"x34-1/2"x1/8" - 8 Hls/13 Ntchs Front Blade	Gum	1
260 Floor Scrubber	MM-260-3		Blade Set 260		3
	MM-260-3A	260263	3-1/4"x41-1/2"x3/16" - 8 Holes Rear Blade	Gum	1
	MM-260-3B	260264	2-1/2"x40-3/4"x1/8" - 8 Hls 1 Nth Bott Reinf	Neo	1
	MM-260-3C	260265	2-7/8"x39-1/2"x1/8" - 8 Hls, 13 Ntchs Frnt	Gum	1



MINUTEMAN CONTINUED

TO FIT MACHINE	GRACO#	OEM#	SIZE	MATERIAL	# OF BLADES
320 Floor Scrubber	HMC-320-3		Blade Set 320		3
	HMC-320-3C	320194	3-3/4"x3/16"x43-1/4" - 8 Holes	Gum	1
	HMC-320-3B	320195	2-1/2"x1/8"x42-1/4" - 8 Holes/1 Notch Bottom	Neo	1
	HMC-320-3A	320196	2-7/8"x1/8"x41" - 8 Holes 13 Notches Bottom	Gum	1
50 Sbr	HK-50-4		Squeegee Set		4
	HK-50-B	94-071	1-3/16"x1/8"x39-3/4" - 11 Holes	Neo	1
	HK-50-A	94-072	1-1/2"x1/8"x36-1/2" - 11 Holes	Gum	1
	HK-50-C	94-073	1-1/4"x1/8"x28-3/4" - 11 Hls/2 Ntchs Bottom	Neo	1
	HK-50-D	94-074	1-3/16"x1/16"x28-1/2" - 11 Holes	Neo	1
Multiclean 21	MC-21-3		Squeegee Set		3
	MC-21-3C	831472	1-1/2"x1/8"x27-1/4" - 12 Holes	C.I.	1
	MC-21-3A	809395	2"x1/4"x28-3/4" - 13 Holes	Gum	1
	MC-21-3B	809397	1-1/2"x1/8"x29"	Gum	1
Multiclean 22	MC-22-2		Squeegee Set		2
	MC-22-2B		1-1/4"x1/8"x27-1/4" - 12 Holes/11 Notches	Gum	1
	MC-22-2A		1-1/4"x3/16"x30" - 13 Holes	Gum	1
Multiclean 24	HMC-24-3		Squeegee Set		3
	MC-24-3		Squeegee Set		3
	MC-24-3C	809393	2"x1/4"x31" - 13 Holes	Tan Gum	1
	MC-24-3A	809395	1-7/8"x3/16"x29-1/2" - 12 Holes	Tan Gum	1
	MC-24-3B	809397	1-1/2"x1/8"x31" - 13 Holes	Tan Gum	1
	HMC-24-3C	831472	1-7/8"x3/16"x29-1/2" - 12 Holes/6 Notches	Gum	1
Multiclean 26	HMC-26-3B	260107	1-1/2"x1/8"x33" - 15 Holes	Gum	1
	HMC-26-3C	260108	1-7/8"x3/16"x31-1/2" - 14 Hls/6 Ntchs Bottom	Gum	1
	HMC-26-3A	260109	2"x3/16"x33" - 15 Holes	Gum	1
	HMC-26-3	260120	Squeegee Set (Minuteman 26b)		3
Multiclean 32	HMC-32-3	0249082	Squeegee Set		3
	MC-32-3		Squeegee Set		3
	MC-32-3B	809528	1-1/2"x1/8"x40" - 15 Holes	Tan Gum	1
	MC-32-3C	0249012	2"x1/4"x40" - 15 Holes	Tan Gum	1
	MC-32-3A	0249011	1-7/8"x3/16"x37-3/8" - 14 Holes	Tan Gum	1
	HMC-32-3C	831473	1-7/8x3/16"x37-1/2" - 14 Hls/11 Ntchs Bottom	Gum	1
	HMC-32-3AN	833842	2"x3/16"x39-3/4" - 15 Holes	Neo	1
	HMC-32-3BN	833843	1-1/2"x1/8"x 36-1/2" - 14 Holes	Neo	1
	HMC-32-3CN	833847	1-7/8"x3/16"x37-1/2" - 14 Hls/11 Ntchs Bottom	Neo	1
	HMC-32-3N	833863	Squeegee Set - Neo		



KENT/EUROCLEAN

TO FIT MACHINE	GRACO #	OEM #	SIZE	MATERIAL	# OF BLADES
KA-171B	K-171-1	56053664	4-3/4"x1/8"x29" - 5 Holes/12 Notches	Tan Gum	1
KA-18, KA-20	K-18-4C	56046834	1-1/2"x1/4"x9-3/8" - 5 Holes	Gum	1
	K-18-4A	56046835	2"x3/16"x24" - 13 Holes	Gum	1
	K-18-4D	56046836	1-1/2"x1/8"x4" - 2 Holes	Gum	1
KA-200B, KA-201B	K-18-4C	56046834	1-1/2"x1/4"x9-3/8" - 5 Holes	Gum	1
	K-18-4A	56046835	2"x3/16"x24" - 13 Holes	Gum	1
	K-18-4D	56046836	1-1/2"x1/8"x4" - 2 Holes	Gum	1
KA-201BST	K-201-3	56039139	Squeegee Blade Set		3
	K-201-3C	56054793	1-3/4"x1/8"x27-3/4" - 8 Slots/8 Holes	Tan Gum	1
	K-201-3A	56054794	2-3/4"x3/16"x30-1/8" - 8 Holes	Tan Gum	1
	K-201-3B	56054795	1-3/4"x1/8"x28-3/4" - 8 Holes	Neo	1
KA-26	K-26-5		Squeegee Set		5
	K-260-5D	56048165	2"x1/4"x9" - 5 Holes	Tan Gum	1
	K-26-5A	56048525	2-1/8"x3/16"x32-3/4" - 16 Holes	Tan Gum	1
	K-26-5C	56048527	2"x1/4"x11" - 6 Holes	Tan Gum	1
KA-260B, KA-261B	K-260-5	56038422	Squeegee Set		5
	K-260-5D	56048165	2"x1/4"x9" - 5 Holes	Tan Gum	1
	K-260-5A	56048525	2-1/8"x3/16"x32-3/4" - 16 Holes	Tan Gum	1
	K-260-5C	56048527	2"x1/4"x11" - 6 Holes	Tan Gum	1
	K-260-5B	56049909	1-1/2"x1/4"x32-3/4" - 16 Holes	Neo	1
KA-262B	K-266-2		Squeegee Set		2
	K-266-2B	56053807	1-3/4"x1/8"x32-3/4" - 13 Notches/8 Holes	Tan Gum	1
	K-266-2A	56053808	2-1/8"x3/16"x35-3/8" - 18 Holes	Tan Gum	1
KA-266B	K-266N-3	56039065	Squeegee Set		3
	K-266N-3C	56054557	1-3/4"x1/8"x32-3/4" - 13 Notches/8 Holes	Tan Gum	1
	K-266N-3A	56054558	2-3/4"x3/16"x35-3/4" - 8 Holes	Tan Gum	1
	K-266N-3B	56054559	1-3/4"x1/8"x34-5/15" - 1 Notch/8 Holes	Neo	1
KA-27 Dura Scrub	K-27-3	56039590	Squeegee Set		3
	K-27-3C	56056425	2-3/16"x1/8"x35-7/8" - 8 Holes/9 Slots	Neo	1
	K-27-3B	56056426	1-3/4"x1/8"x36-13/16" - 8 Holes	Neo	1
	K-27-3A	56056427	2-1/4"x3/16"x36-3/4" - 8 Holes	Tan Gum	1
KA-27 Select Scrub	K-27-3	56039590	Squeegee Set		3
	K-27-3C	56056425	2-3/16"x1/8"x35-7/8" - 8 Holes/9 Slots	Neo	1
	K-27-3B	56056426	1-3/4"x1/8"x36-13/16" - 8 Holes	Neo	1
	K-27-3A	56056427	2-1/4"x3/16"x36-3/4" - 8 Holes	Tan Gum	1
KA-32	K-32-5		Squeegee Set		5
	K-260-5D	56048165	2"x1/4"x9" - 5 Holes	Tan Gum	1
	K-32-5C	56048166	2"x1/4"x14-5/8" - 8 Holes	Tan Gum	1
	K-32-5A	56048168	2-1/8"x3/16"x39-1/2" - 20 Holes	Tan Gum	1
	K-320-5B	56049910	1-1/2"x1/4"x39-1/2" - 20 Holes	Neo	1



KENT/EUROCLEAN CONTINUED

TO FIT MACHINE	GRACO#	OEM#	SIZE	MATERIAL	# OF BLADES
KA-320B	K-320-5	56038423	Squeegee Set		5
	K-260-5D	56048165	2"x1/4"x9" - 5 Holes	Tan Gum	1
	K-32-5C	56048166	2"x1/4"x14-5/8" - 8 Holes	Tan Gum	1
	K-32-5A	56048168	2-1/8"x3/16"x39-1/2" - 20 Holes	Tan Gum	1
	K-320-5B	56049910	1-1/2"x1/4"x39-1/2" - 20 Holes	Neo	1
KA-325	K-32-5		Squeegee Set		5
	K-260-5D	56048165	2"x1/4"x9" - 5 Holes	Tan Gum	1
	K-32-5C	56048166	2"x1/4"x14-5/8" - 8 Holes	Tan Gum	1
	K-32-5A	56048168	2-1/8"x3/16"x39-1/2" - 20 Holes	Tan Gum	1
	K-320-5B	56049910	1-1/2"x1/4"x39-1/2" - 20 Holes	Neo	1
KA-326B	K-326-2		Squeegee Set		2
	K-326N-3	56039066	Squeegee Set - New Style		3
	K-326-2B	56053777	2-1/8"x3/16"x41-1/2" - 10 Holes/Slots	Tan Gum	1
	K-326-2A	56053778	2-1/8"x3/16"x43" - 22 Holes	Tan Gum	1
	K-326N-3B	56054562	1-3/4"x1/8"x40-3/8" - 8 Holes/13 Slots	Tan Gum	1
	K-326N-3A	56054563	2-3/4"x3/16"x 43-13/32" - 8 Holes	Tan Gum	1
	K-326N-3C	56054564	1-3/4"x1"x41-3/4" - 8 Holes	Neo	1
KA-33 Dura Scrub	K-33-3	56039566	Squeegee Set		3
	K-33-3C	56056428	2-3/16"x1/8"x42-7/32" - 8 Holes/9 Slots	Neo	1
	K-33-3A	56056429	2-1/4"x3/16"x43-3/16" - 8 Holes	Tan Gum	1
	K-33-3B	56056430	1-3/4"x1/8"x36-13/16" - 8 Holes	Neo	1
KA-33 Select Scrub	K-33-3	56039566	Squeegee Set		3
	K-33-3C	56056428	2-3/16"x1/8"x42-7/32" - 8 Holes/9 Slots	Neo	1
	K-33-3A	56056429	2-1/4"x3/16"x43-3/16" - 8 Holes	Tan Gum	1
	K-33-3B	56056430	1-3/4"x1/8"x36-13/16" - 8 Holes	Neo	1
KA-380B	K-380-2		Squeegee Set		2
	K-380-2B	56054315	2-1/8"x3/16"x48" - 24 Hls/12 Ntchs Bottom	Gum	1
	K-380-2A	56054316	2-1/8"x3/16"x50-1/2" - 26 Holes	Gum	1
KA-381B	K-381-3	56039204	Squeegee Set		3
	K-381-3B	56054686	1-3/4"x1/8"x49-1/2" - 10 Holes	Neo	1
	K-381-3A	56054687	2-3/4"x3/16"x50-1/2" - 10 Holes	Tan Gum	1
	K-381-3C	56054688	1-3/4"x1/8"x47" - 17 Slots/10 Holes	Tan Gum	1
KA-39 Dura Scrub	K-39-3	56039567	Squeegee Set		3
	K-39-3C	56056632	2-1/8"x1/8"x48-3/4" - 10 Hls/11 Ntchs Bottom	Neo	1
	K-39-3A	56056633	50" Long - 10 Holes	Tan Gum	1
	K-39-3B	56056634	1-3/4"x1/8"x49-1/2" - 10 Rectangular Holes	Neo	1
KA-39 Select Scrub	K-39-3	56039567	Squeegee Set		3
	K-39-3C	56056632	2-1/8"x1/8"x48-3/4" - 10 Hls/11 Ntchs Bottom	Neo	1
	K-39-3A	56056633	50" Long - 10 Holes	Tan Gum	1
	K-39-3B	56056634	1-3/4"x1/8"x49-1/2" - 10 Rectangular Holes	Neo	1



KENT/EUROCLEAN CONTINUED

TO FIT MACHINE	GRACO#	OEM#	SIZE	MATERIAL	# OF BLADES
KE-20	K-20-4	56038424	Squeegee Set		4
	K-20-4C	56047599	2"x1/4"x10-1/2" - 5 Holes	Tan Gum	1
	K-20-4D	56047601	2"x1/4"x3-1/2" - 2 Holes	Tan Gum	1
	K-20-4A	56047602	2-1/8"x1/4"x25-1/2" - 13 Holes	Tan Gum	1
KE-20E	KM-20-3		Squeegee Set		3
	KM-20-3A	56024263	1-7/8"x1/4"x24-3/4" - 9 Holes	Tan Gum	1
	KM-20-3B	56024264	1-5/8"x1/4"x22" - 9 Holes	Tan Gum	1
	KM-20-3C	56024265	1-5/8"x1/4"x24-1/4" - 9 Holes	Neo	1
Squeegee Tool	K-14T-4A		1-1/2"x3/32"x16" - 8 Holes	Neo	1
	K-14T-4B		1"x3/32"x16" - 8 Holes	Neo	1
	AD-14T-5	56204295	14" Squeegee Tool Squeegee Set		5
	AD-20T-5	56205097	20" Squeegee Tool Squeegee Set		5
	AD-24T-5	56206107	26" Squeegee Tool Squeegee Set		4
	K-14T-4	56661058	14" Squeegee Tool Squeegee Set		

NILFISK/ADVANCE

TO FIT MACHINE	GRACO#	OEM#	SIZE	MATERIAL	# OF BLADES
450	AD-45-8	56204010	Squeegee Set		8
5000	AD-50-4		Squeegee Set		4
	AD-50-4B	56454214	2"x1/8"x60-3/4" - 15 Holes	Neo	1
	AD-50-4C	56454218	2"x3/16"x52-3/8" - 11 Holes	Neo	1
5000B	AD-5000-4		Squeegee Set		4
	AD-5000-4A	56454209	2-1/2"x1/4"x62" - 15 Holes	Tan Gum	1
	AD-5000-4B	56454215	2"x1/8"x60-3/4" - 15 Holes	Neo	1
	AD-5000-4D	56455606	2"x1/4"x56-3/4" - 13 Holes/7 Slots	Urethane	1
	AD-5000-4C	56455608	2-1/4"x3/16"x57-3/4" - 13 Holes/11 Slots	Tan Gum	1
Convertamatic 17B	AD-17-4N		Squeegee Set (Neo)		1
	AD-17-4NA		1-3/8"x1/8"x20-1/4" - 6 Holes	Neo	1
	AD-17-4	56204001	Squeegee Set		4
	AD-20-CS	56382356	23-1/2" Aluminum Channel w/2 Blades	Ridged Urethane	1
	AD-17-4A	56384990	1-1/4"x1/8"x20-1/4" - 6 Holes	Gum	1
	AD-17-4B	56384992	1-1/4"x1/8"x20-1/4" - 6 Holes	Neo	1
	AD-17-4C	56384994	1-1/8"x1/16"x20-1/4" - 6 Hls/18 Ntchs Bottom	Neo	1
	AD-17-CS	56385032	21" Aluminum Channel w/2 Blades	Ridged Urethane	1
Convertamatic 18B	AD-18-4NA		1-3/8"x1/8"x22" - 7 Holes	Neo	1
	AD-18-4	56204003	Squeegee Set		4
	AD-18-4N	56204025	Squeegee Set (Neo)		1
	AD-18-4B	56361178	1-1/4"x1/8"x22" - 7 Holes	Neo	1
	AD-18-4C	56361186	1-1/8"x1/16"x22" - 7 Holes	Neo	1
	AD-18-4A	56361216	1-3/8"x1/8"x22" - 7 Holes	Tan Gum	1



NILFISK/ADVANCE

TO FIT MACHINE	GRACO#	OEM#	SIZE	MATERIAL	# OF BLADES
Convertamatic 200B	AD-200-2B	56324025	3"x1/4"x26-15/16" - 6 Holes	Tan Gum	1
	AD-200-2A	56324026	3"x1/8"x25-7/16" - 50 Slots/6 Holes	Neo	1
	AD-200-2	56324254	Squeegee Set (Before Sn#0536425)		2
	AD-200N-2A	56324322	2-1/2"x3/16"x26-13/16" - 6 Holes	Tan Gum	1
	AD-200N-2B	56324325	2-1/4"x1/8"x25-3/4" - 6 Holes/14 Notches	Neo	1
	AD-200N-2	56324385	Squeegee Set (After Sn# 511035)		2
Convertamatic 200BD	AD-200-2B	56324025	3"x1/4"x26-15/16" - 6 Holes	Tan Gum	1
	AD-200-2A	56324026	3"x1/8"x25-7/16" - 50 Slots/6 Holes	Neo	1
	AD-200-2	56324254	Squeegee Set (Before Sn# 0536425)		2
	AD-200N-2A	56324322	2-1/2"x3/16" - 6 Holes	Tan Gum	1
	AD-200N-2B	56324325	2-1/4"x1/8"x25-3/4" - 6 Holes/14 Notches	Neo	1
	AD-200N-2	56324385	Squeegee Set (After Sn# 511035)		2
Convertamatic 200LX	AD-200-2B	56324025	3"x1/4"x26-15/16" - 6 Holes	Tan Gum	1
	AD-200-2A	56324026	3"x1/8"x25-7/16" - 50 Slots/6 Holes	Neo	1
	AD-200-2	56324254	Squeegee Set (Before Sn#0536425)		2
	AD-200N-2A	56324322	2-1/2"x3/16"13/16" - 6 Holes	Tan Gum	1
	AD-200N-2B	56324325	2-1/4"x1/8"x25-3/4" - 6 Holes/14 Notches	Neo	1
	AD-200N-2	56324385	Squeegee Set (After Sn# 511035)		2
Convertamatic 20B	AD-20-4NNA		1-5/8"x1/8"x24" - 7 Holes	Neo	1
	AD-20-4N	56204006	Squeegee Set		1
	AD-20-4NN	56204029	Squeegee Set (Neo)		1
	AD-20-4NB	56361218	1-1/4x1/8"x24" - 7 Holes	Neo	1
	AD-20-4NC	56361221	1-1/8x1/16"x24" - 7 Holes	Neo	1
	AD-20-4NA	56361225	1-3/8"x1/8"x24-1/4" - 7 Holes	Neo	1
	AD-20-CS	56382356	23-1/2" Aluminum Channel w/2 Blades	Ridged Urethane	1
Convertamatic 210B	AD-21-C	56363882	25 1/2" Aluminum Channel W/2 Red Blades	Urethane	1
	AD-21-C	56363892	25 1/2" Aluminum Channel W/2 Red Blades	Urethane	1
Convertamatic 21B	AD-21-4N		Squeegee Set (Neo)		1
	AD-21-4NA		1-3/8"x1/8"x28-1/4" - 10 Holes	Neo	1
	AD-21-4	56204004	Squeegee Set		4
	AD-21-4B	56363847	1-1/4"x1/8"x26" - 8 Holes	Neo	1
	AD-21-C	56363882	25" Aluminum Channel W/2 Red Blades	Urethane	1
	AD-21-C	56363892	25 1/2" Aluminum Channel W/2 Red Blades	Urethane	1
	AD-21-4C	56370932	1-18"x1/16"x26" - 8 Holes	Neo	1
	AD-21-4A	370967	1-3/8"x1/8"x26" - 8 Holes	Tan Gum	1
Convertamatic 240LX	AD-240-2B	56393285	2-1/2"x3/32"x32-1/2" - 8 Holes/14 Notches	Neo	1
	AD-240-2A	56393286	2-3/8"x1/4"x32-11/16" - 8 Holes	Tan Gum	1
	AD-240-2	56393395	Squeegee Blade Set		2

Squeegees



NILFISK/ADVANCE CONTINUED

TO FIT MACHINE	GRACO#	OEM#	SIZE	MATERIAL	# OF BLADES
Convertamatic 24B	AD-24-4	56204007	Squeegee Set		4
	AD-24-4N	56204027	Squeegee Set (Neo)		1
	AD-24-4N	56204031	Squeegee Set (Neo)		1
	AD-24-4C	56371033	1-1/8"x1/16"x28" - 10 Holes	Neo	1
	AD-24-4A	56371084	1-3/8"x1/8"x28" - 10 Holes	Tan Gum	1
	AD-24-4AN	56371092	28-1/4" Long - 10 Holes	Neo	1
	AD-24-4B	56371106	1-1/4x1/8 - 10 Holes	Neo	1
	AD-26-C	56372992	31" Aluminum Channel W/2 Red Blades	Urethane	1
Convertamatic 260B	AD-26HD-4	56372786	Squeegee Set		4
	AD-26-C	56372982	31" Aluminum Channel W/2 Blades	Ridged Urethane	1
	AD-26-C	56372992	31" Aluminum Channel W/2 Red Blades	Urethane	1
	AD-285N-2B	56391333	2-7/16"x3/16"x39-1/2" - 6 Holes	Tan Gum	1
	AD-285N-2A	56391334	2-3/4"x1/8"x37" - 10 Slots/6 Holes	Tan Gum	1
	AD-285N-2	56391340	Standard Blade Kit After Sn0603		2
Convertamatic 265LX	AD-285N-2	56391340	Standard Blade Kit After Sn0603		2
Convertamatic 26B	AD-26HD-4B	56372764	1-3/8"x1/8"x31-3/4" - 10 Holes	Neo	1
	AD-26HD-4A	56372766	1-1/2"x1/8"x32-1/4" - 10 Holes	Tan Gum	1
	AD-26HD-4	56372786	Squeegee Set		4
	AD-26-C	56372992	31" Aluminum Channel W/2 Red Blades	Urethane	1
	AD-26-4B	56550823	1-1/4"x1/8"x31-15/16" - 9 Holes	Neo	1
	AD-26-4C	56550825	1-1/8"x1/16"x31-15/16" - 9 Holes	Neo	1
	AD-26-4A	56550827	1-3/8"x1/8"x31-15/16" - 9 Holes	Tan Gum	1
	AD-26-4AN	56550830	31-34" Long - 9 Holes	Neo	1
	AD-26-4	56550950	Squeegee Set		4
	AD-26-4N	56550952	Squeegee Set (Neo)		1
Convertamatic 285LX	AD-285-3	56391250	Squeegee Set		3
	AD-285N-2B	56391333	2-7/16"x3/16"x39-1/2" - 6 Holes	Tan Gum	1
	AD-285N-2A	56391334	2-3/4"x1/8"x37" - 10 Slots/6 Holes	Tan Gum	1
	AD-285N-2	56391340	Standard Blade Kit After SN0603		2
Convertamatic 28LX	AD-285N-2A	56391334	2-3/4"x18"x37" - 10 Slots/6 Holes	Tan Gum	1
	AD-285N-2	56391340	Standard Blade Kit After Sn0603		2
Convertamatic 325LX	AD-325-3	56292250	Squeegee Set		3
	AD-325-3A	56392739	2-1/2"x3/16"x46 1/8" - 8 Holes	Gum	1
	AD-325-3B	56392740	2-5/16"x1/8"x45-1/8" - 14 Slots/9 Holes	Neo	1
	AD-325-3C	56392741	1 3/4"x18"x46" - 8 Holes	Neo	1
	AD-32-4NA		1-3/8"x1/8"x39" - 12 Holes	Neo	1
Convertamatic 32B	AD-32-8	56204008	Squeegee Set		8
	AD-32-4	56204015	Squeegee Set		4
	AD-32-8N	56204033	Squeegee Set (Neo)		1
	AD-32-4N	56204037	Squeegee Set (Neo)		1
	AD-32-C	56379584	38" Aluminum Channel W/2 Blades	Ridged Urethane	1
	AD-32-CS	56379620	38" Aluminum Channel W/2 Red Blades	Urethane	1
	AD-32N-C	56395793	39 3/4" Aluminum Channel W/2 Red Blades	Urethane	1



NILFISK/ADVANCE CONTINUED

TO FIT MACHINE	GRACO#	OEM#	SIZE	MATERIAL	# OF BLADES
Convertamatic 32B	AD-32-4A	56474645	1-3/8"x1/8"x38-15/16" - 12 Holes	Tan Gum	1
	AD-32-4B	56474647	1-1/4"x1/8"x38-15/16" - 12 Holes	Neo	1
	AD-32-4C	56474650	1-1/8"x1/16"x38-15/16" - 12 Holes	Neo	1
	AD-32N-C	56395793	39 3/4" Aluminum Channel W/2 Red Blades	Urethane	1
Convertamatic 32BD	AD-325-3	56292250	1-3/8"x1/8"x38-15/16" - 12 Holes	Tan Gum	3
	AD-325-3A	56392739	1-1/4"x1/8"x38-15/16" - 12 Holes	Neo	1
	AD-325-3B	56392740	1-1/8"x1/16"x38-15/16" - 12 Holes	Neo	1
Convertamatic 385LX	AD-325-3C	56392741	39 3/4" Aluminum Channel W/2 Red Blades	Urethane	1
	AD-38-4NA	56395799	Squeegee Set		1
Convertamatic 38BD	AD-38N-C	56400558	2 1/2"x3/16"x46 1/8" - 8 Holes	Gum	1
	AD-38N-C	56400566	2-5/16"x1/8"x45-1/8" - 14 Slots, 9 Holes	Neo	1
	AD-38-4A	56400574	1 3/4"x1/8"x46" - 8 Holes	Neo	1
	AD-38-4B		1-3/8"x1/8"x42-3/4" - 13 Holes	Neo	1
	AD-38-4C	56400586	45" Aluminum Channel W/2 Red Blades	Urethane	1
	AD-38-4CS	56400588	45 " Aluminum Channel W/2 Red Blades	Urethane	1
	AD-38-4	56400612	1-3/8"x1/8"x42-15/16" - 13 Holes	Tan Gum	4
	AD-38-4N	56377378	1-1/4"x1/8"x42-15/16" - 13 Holes	Neo	1
	AD-38-C	56404095	11/8"x1/16"x42-15/16" - 13 Holes	Neo	1
	AD-38-C	56409413	11/8"x1/16"x42-15/16" - 13 Holes	Neo	1
	AD-38HD-3	56409429	Squeegee Set		3
	AD-3800-2B	56409627	Squeegee Set (Neo)		1
	Hydroretriever 3800	AD-3800-2	56404095	42" Aluminum Channel W/2 Blades	Ridged Urethane
AD-3800-2A		56409413	42" Aluminum Channel W/2 Red Blades	Urethane	1
AD-38HD-3		56409627	Squeegee Set		3
AD-3800-2B		56409627	2-7/16"x1/4"x 46-5/8" - 8 Holes	Tan Gum	1
AD-3800-2A		56409413	2-3/8"x1/8"x44-11/16" - 8 Holes/10 Notches	Tan Gum	1
TRAC 240		AD-26-C	56372992	31" Aluminum Channel W/2 Red Blades	Urethane
TRAC 280	AD-280-C	56320380	34 1/2" Aluminum Channel W/2 Red Blades	Urethane	1
	AD-280-C	56376288	34 1/2" Aluminum Channel W/2 Blades	Ridged Urethane	1
	AD-38-C	56377378	42" Aluminum Channel W/2 Blades	Ridged Urethane	1
TRAC 280BHD	AD-280-3	56376548	Squeegee Set		3
	AD-280-3A	56376566	1-1/2"x3/16"x35" - 9 Holes	Tan Gum	1
	AD-280-3C	56376568	32-38" Long - 9 Holes	Plastic	1
	AD-280-3B	56376570	1-5/16"x 1/8"x34" - 9 Holes/5 Slots	Neo	1
TRAC 380	AD-380-C	56377404	44" Aluminum Channel W/2 Red Blades	Urethane	1
TRAC 380BHD	AD-380-4	56377718	Squeegee Set		4



Squeegees

NSS					
TO FIT MACHINE	GRACO#	OEM#	SIZE	MATERIAL	# OF BLADES
20/26	NSS-2026-3		Squeegee Set		3
	NSS-2026-3A		1-1/2"x26-1/2"x1/8" - 9 Holes/13 Notches	Gum	1
	NSS-2026-3B		2-1/2"x23-3/4"x1/4" - 7 Holes	Gum	1
	NSS-2026-3C		2-1/2"x12"x1/4" - 3 Holes	Gum	1
30-100-1 VAC Attachment	NSS-951-1		2"x30" - 10 Holes	Neo	1
Squeegee Tool	NSS-30-3		Squeegee Set		3
	NSS-30-3A		1-1/2"x28"x1/8" - 9 Holes	Gum	1
	NSS-30-3B		1-1/4"x28"x1/8" - 9 Holes	Neo	1
	NSS-30-3C		1-1/4"x27-3/4"x1/8" - 9 Holes/9 Notches	C.I	1
	NSS-14T-5	3092199	14" Squeegee Tool Squeegee Set		5
	NSS-18T-5	3092259	18" Squeegee Tool Squeegee Set		5
Wrangler 26	NSS-26-2		Squeegee Blade Set		2
	NSS-26-2A	2493861	33" Curved Squeegee Front Blade		1
	NSS-26-2B	2493871	2"x31-1/4"x3/16" Rear Blade	Gum	1
	NSS-27-2	2791061	1-3/4"x32"x1/4" 7 Notches Each Side	Neo	2
Wrangler 27	NSS-27-2	2791061	32" Rpl. Squeegee Blades		2
Wrangler 27F/B	NSS-33-2	3390261	38" Rpl. Squeegee Blades		2
Wrangler 33	NSS-33C-2		Curved Squeegee Set		2
	NSS-33L-2		Long Squeegee Set 46.5"		2
	NSS-33L-2A	2693831	Rear Blade, Curved Long 46.63"		1
	NSS-33L-2B	2693821	Front Blade, Curved Long 44.38"		1
Wrangler 33F/B	NSS-33C-2B	2693681	43" Blade-front, Curved Sq.		1
	NSS-33C-2A	2693691	1-3/4"x41-1/2"x1/4" 9 Hls ea. side/2 hls ea. end	Neo	1
	NSS-33-2	3390261	2"x44"x3/16" 2 Holes ea. end	Gum	2

PULLMAN-HOLT					
TO FIT MACHINE	GRACO#	OEM#	SIZE	MATERIAL	# OF BLADES
F-80	PUL-80-3		Squeegee Set		3
	PUL-80-3A	B7529-1	1-1/2"x1/8"x28" - 10 Holes	Gum	1
	PUL-30-3B	B7529P-2	1-3/8x1/8"x28" - 10 Holes	Gum	1
	PUL-80-3C	B7529P-3	1-1/2"x1/8"x28-1/4" - 10 Hls/8 Ntchs Bottom	Gum	1
PES-2000	PUL-2000-3		Squeegee Set		3
	PUL-2000-3A	931665	1-1/2"x1/8"x28" - 10 Holes	Gum	1
	PUL-2000-3B	931692	1-3/8x1/8"x28" - 10 Holes	Gum	1
	PUL-2000-3C	931614	1-1/2"x1/8"x28-1/4" - 10 Hls/8 Ntchs Bottom	Gum	1
Squeegee Tool	PUL-14T-5		14" Squeegee Tool Squeegee Set		5
	PUL-14T-5A		1-1/8"x3/32x14-1/2" - 5 Holes	Neo	1
	PUL-14T-5B		1"x3/32x15" - 5 Holes	Neo	1



STAR

TO FIT MACHINE	GRACO#	OEM#	SIZE	MATERIAL	# OF BLADES
33A Round	STR-33R-4		Squeegee Set		4
	STR-33R-4D	105086	2-1/2"x1/4"x32" - 15 Holes	Tan Gum	1
	STR-33R-4B	105091	2-1/4"x1/4"x35-1/8" - 17 Holes	Neo	1
	STR-33R-4C	105092	yt2-1/2"x1/4"x17" - 8 Holes/1 Slot	Tan Gum	1
	STR-33R-4A	105093	2-3/4"x1/4"x39" - 15 Holes	Tan Gum	1
33A Straight	STR-33S-4		Squeegee Set		4
	STR-33S-4B	105138	2-1/2"x1/4"x36-1/4" - 16 Holes/8 Slots	Tan Gum	1
	STR-33S-4C	105139	2-3/4"x1/4"x40" - 20 Holes	Tan Gum	1
	STR-33S-4a	105091	2-3/4"x1/4"x36-3/16" - 16 Holes/8 Slots	Tan Gum	1
46 Round	STR-46R-7		Squeegee Set		7
	STR-46R-7D	105255	2-3/4"x1/4"x35-1/2" - 16 Holes	Tan Gum	1
	STR-46R-7A	105263	2-3/4"x1/4"x33-1/4" - 14 Holes	Tan Gum	1
	STR-46R-7B	105264	1-3/4"x1/4"x30-1/2" - 14 Holes	Neo	1
46 Straight	STR-46S-6		Squeegee Set		6
	STR-46S-7		Squeegee Set		7
	STR-46S-7A	105338	2-3/4"x1/4"x38" - 16 Holes	Tan Gum	1
	STR-46S-7B	105339	2-1/2"x1/4"x34" - 16 Holes/6 Slots	Tan Gum	1
	STR-46S-7C	105340	2"x1/4"x27-1/4" - 14 Holes	Neo	1
460	STR-460-3		Squeegee Set		3
	STR-460N-3		Squeegee Set		3
	STR-460N-3B	105460	2"x1/4"x63-1/4" - 16 Holes	Neo	1
	STR-460N-3A	105461	2-3/4"x1/4"x63-3/4" - 16 Holes	Tan Gum	1
	STR-460N-3C	105642	2-1/2"x1/4"x60-1/4" - 16 Holes/11 Slots	Tan Gum	1
	STR-460N-3C	105717	2-3/4"x1/4"x60-3/8" - 16 Holes/3 Slots	Tan Gum	1
	STR-460N-3B	105718	2-1/4"x1/4"x63" - 16 Holes	Neo	1
60 round	STR-60R-10		Squeegee Set		10
	STR-60R-10B	105330	2-7/8"x1/4"x23" - 10 Holes	Gum	1
	STR-60R-10C	105331	2-3/4"x1/4"x11" - 4 Holes	Gum	1
60 Straight	STR-60S-10		Squeegee Set		10
	STR-60S-10B	105328	2-1/2"x1/4"x35-3/4" - 17 Hls/9 Round Ntchs	Gum	1
	STR-60S-10A	105329	2-3/4"x1/4"x39-1/2" - 17 Holes	Gum	1
	STR-60S-10E	105332	2"x1/4"x32" - 15 Holes	Neo	1
C-75	STR-75-10		Squeegee Set		10
	STR-75-6		Squeegee Set		6
	STR-75-10A	105054	4"x3/8"x84" - 36 Holes	Tan Gum	1
	STR-75-10B	105056	3-1/2"x3/8"x84" - 36 Holes	Neo	1
	STR-75-10C	105059	4"x3/8"x16" - 8 Holes	Tan Gum	1
	STR-75-10D	105061	3-1/2"x3/8"x16" - 8 Holes	Neo	1
	STR-75-10E	105062	4"x3/8"x18-1/2" - 8 Holes	Tan Gum	1
	STR-75-10F	105064	3-1/2"x3/8"x18-1/2" - 8 Holes	Neo	1



STAR CONTINUED

TO FIT MACHINE	GRACO#	OEM#	SIZE	MATERIAL	# OF BLADES
C58	STR-58-4		Squeegee Set		4
	STR-58-4A	105003	Squeegee Blade	Gum	1
	STR-58-4B	105005	2-1/2"x3/8"x17-1/4"-17 Hls 1 Lg Ntch Bottom	Gum	1
	STR-58-4C	105007	2-3/4"x1/4"x39-1/2" - 16 Holes	Gum	1
C58D,E,F	STR-58-6		Squeegee Set		6
	STR-58-6C	105028	3"x1/4"x8-1/2" - 4 Holes	Gum	1
	STR-58-6D	105029	3"x3/8"x16" - 8 Holes	Gum	1

TASKI

TO FIT MACHINE	GRACO#	OEM#	SIZE	MATERIAL	# OF BLADES
42E Combimat	TS-42-6	15200-14	Squeegee Set		6
500E Combimat	TS-500-5	15703-06	Squeegee Set		5
55 Combimat	TS-55-5	17200-10	Squeegee Set		5

TENNANT

TO FIT MACHINE	GRACO#	OEM#	SIZE	MATERIAL	# OF BLADES
1700 Forward Drive Only	N-1700-2		Squeegee Set		2
	N-1700-2B	240301	1-1/8"x1/16"x25-1/2" - 9 Holes/25 Notches	Neo	1
	N-1700-2A	240303	1-3/8"x3/16"x28" - 9 Holes	Gum	1
1701 Speedscrub	N-1701-4		Squeegee Set		4
	N-1701-4A	240296	1-1/2"x1/8"x25" - 9 Holes	Urethane	1
	N-1701-4B	240297	1-1/2"x1/8"x25" - 9 Holes/32 Notches	Urethane	1
	N-1701N-2A	604390	24" Blade, Squeegee 1701		1
2000 Forward Drive Only	N-2000-2		Squeegee Set		2
	N-2000-2B	240302	1-1/4"x1/16"x22-1/4" - 9 Holes/22 Notches	Neo	1
	N-2000-2A	240304	1-5/8"x3/16"x25" - 9 Holes	Gum	1
2001 HD	N-2401N-2		Squeegee Set Ridged	Urethane	2
2001 Speedscrub	N-2401N-2A	603660	31" Blade, Squeegee 2401		1
	N-2001-4	0297676	Squeegee Set		4
	N-2001-4A	240298	1-7/16"x3/32"x27-3/4" - 9 Holes	Urethane	1
	N-2001-4B	240299	1-3/8"x3/32"x27-3/4" - 9 Holes/36 Notches	Urethane	1
240	N-2001N-2A	603659	27" Blade, Squeegee, 2001		1
	T-86-4D		2-7/8"x1/8"x67-1/2" - 15 Holes	Neo	1
	T-86-4C		2"x1/8"x68-1/4" - 16 Holes	Neo	1
	N-2401N-2A	603660	31" Blade, Squeegee 2401		1
	N-2401N-2A	603660	31" Blade, Squeegee 2401		1
2400 Speedscrub	WR-26-3A	0253700	Squeegee Set		1
	WR-26-3C	0253707	3-3/4"x3/16"x39-1/2" - 10 Holes	Tan Gum	1



TENNANT CONTINUED

TO FIT MACHINE	GRACO#	OEM#	SIZE	MATERIAL	# OF BLADES
2401 Speedscrub 260	WR-26-3B	0253701	2-3/4"x1/8"x37" - 12 Holes/13 Slots	Tan Gum	1
	WR-26-3	0297185	3"x1/8"x38-3/4" - 10 Holes	Neo	3
	T-86-4D		2-7/8"x1/8"x67-1/2" - 15 Holes	Neo	1
	T-86-4C		2"x1/8"x68-1/4" - 16 Holes	Neo	1
	N-2701N-2A	603661	34" Blade, Squeegee 2701/2601		1
	WR-26-3A	0253700	3-3/4"x3/16"x39-1/2" - 10 Holes	Tan Gum	1
	WR-26-3C	0253701	2-3/4"x1/8"x37" - 12 Holes/13 Slots	Tan Gum	1
	WR-26-3B	0253707	3"x1/8"x38-3/4" - 10 Holes	Neo	1
2601 Speedscrub	WR-26-3A	0253700	3-3/4"x3/16"x39-1/2" - 10 Holes	Tan Gum	1
260XP Speedscrub	WR-26-3C	0253701	2-3/4"x1/8"x37" - 12 Holes/13 Slots	Tan Gum	1
	WR-26-3B	0253707	3"x1/8"x38-3/4" - 10 Holes	Neo	1
262 Scrubbisher	WR-26-3A	0253700	3-3/4"x3/16"x39-1/2" - 10 Holes	Tan Gum	1
	WR-26-3C	0253701	2-3/4"x1/8"x37" - 12 Holes/13 Slots	Tan Gum	1
	WR-26-3B	0253707	3"x1/8"x38-3/4" - 10 Holes	Neo	1
265	T-86-4D		2-7/8"x1/8"x67-1/2" - 15 Holes	Neo	1
	T-86-4C		2"x1/8"x68-1/4" - 16 Holes	Neo	1
265 XP	WR-26-3A	0253700	3-3/4"x3/16"x39-1/2" - 10 Holes	Tan Gum	1
	WR-26-3C	0253701	2-3/4"x1/8"x37" - 12 Holes/13 Slots	Tan Gum	1
	WR-26-3B	0253707	3"x1/8"x38-3/4" - 10 Holes	Neo	1
2700 Speedscrub	N-2700-2		Squeegee Set		2
	N-2700-2B	240221	1-1/4"x1/16"x32-1/2" - 12 Holes/32 Notches	Neo	1
	N-2700-2A	240223	1-1/2"x3/16"x35" - 12 Holes	Gum	1
2701 Speedscrub	N-27-4A	240294	1-3/8"x1/8"x34-3/4" - 12 Holes	Urethane	1
	N-27-4B	240295	1-3/8"x1/8"x34-3/4" - 12 Holes/35 Notches	Urethane	1
	N-2701N-2A	603661	34" Blade, Squeegee 2701/2601		1
280	T-86-4D		2-7/8"x1/8"x67-1/2" - 15 Holes	Neo	1
	T-86-4C		2"x1/8"x68-1/4" - 16 Holes	Neo	1
320 EXP	WR-32-3A	067761601	3-3/4"x3/16"x49-1/4" - 10 Holes	Tan Gum	1
	WR-32-3C	067761602	2-3/4"x1/8"x46-3/8" - 10 Holes/13 Slots	Tan Gum	1
	WR-32-3B	067761603	3"x1/8"x48-3/4" - 10 Holes	Neo	1
320 XP	WR-32-3A	067761601	3-3/4"x3/16"x49-1/4" - 10 Holes	Tan Gum	1
	WR-32-3C	067761602	2-3/4"x1/8"x46-3/8" - 10 Holes/13 Slots	Tan Gum	1
	WR-32-3B	067761603	3"x1/8"x48-3/4" - 10 Holes	Neo	1
3301 Speedscrub	N-33-4		Squeegee Set		4
	N-33-4A	240292	1-5/16"x1/8"x40-3/4" - 14 Holes	Urethane	1
	N-33-4B	240293	1-3/8"x1/8"x40-3/4" - 14 Holes/41 Notches		1
	N-3301N-2A	603662	40" Blade, Squeegee 3301		1
426	T-426-6		Squeegee Set		6
	T-426-6A	89031	4"x3/16"x40" - 10 Holes	Tan Gum	1
	T-426-6D	89032	3"x1/8"x19-3/4" - 6 Holes	Neo	1
	T-426-6B	89034	2-3/4"x1/8"x36-7/8" - 14 Holes/13 Slots	Tan Gum	1



TENNANT CONTINUED

TO FIT MACHINE	GRACO#	OEM#	SIZE	MATERIAL	# OF BLADES
426	T-426-6C	89035	3"x1/8"x39" - 10 Holes	Neo	1
	T-426-6E	89036	2-1/8"x1/8"x15-3/4" - 4 Holes	Neo	1
432	T-432-3	9990707	Squeegee Set		3
	T-432-3A	03856	3-1/2"x1/4"x40-3/8" - 9 Holes	Gum	1
	T-432-3C	03857	2"x1/8"x39-1/2" - 9 Holes	Neo	1
	T-432-3A	63035	3-1/2"x1/4"x40-3/8" - 9 Holes	Gum	1
	T-432-3C	63036	2"x1/8"x39-1/2" - 9 Holes	Neo	1
	T-432-3B	63037	2-1/4"x1/8"x39-1/4" - 8 Hls/13 Ntchs Bottom	Gum	1
	T-432-3B	63967	2-1/4"x1/8"x39-1/4" - 8 Hls/13 Ntchs Bottom	Gum	1
520	T-525-7		Squeegee Set		7
	T-525-7B	56332	2"x1/8"x50" - 14 Holes	Neo	1
	T-525-7A	56333	3"x3/8"x50" - 14 Holes	Tan Gum	1
	T-525-7C	56367	2-7/8"x1/8"x47-1/4" - 15 Holes/11 Slots	Neo	1
	T-525-7D	59609	2"x1/4"x27-1/2" - 4 Holes	Tan Gum	1
	T-525-7E	59610	1-1/2"x1/8"x27-1/2" - 4 Holes	Neo	1
527	T-525-7		Squeegee Set		7
	T-527-8		Squeegee Set		8
	T-527-8D	59609A	2"x1/4"x27" - 9 Holes	Tan Gum	1
	T-527-8E	59610A	1-1/2"x1/8"x27" - 9 Holes	Neo	1
	T-527-4C	59775	2-1/2"x1/8"x49-1/4" - 18 Holes	Neo	1
	T-527-4A	59776	5"x3/8"x48-5/8" - 9 Holes	Gum	1
	T-527-8D	60004	2"x1/4"x27" - 9 Holes	Tan Gum	1
	T-527-4B	60005	3"x1/4"x46-1/2" - 8 Holes/13 Notches Bottom	Gum	1
	T-527-4A	60006	5"x3/8"x48-5/8" - 9 Holes	Gum	1
	T-527-4B	64818	3"x1/4"x46-1/2" - 8 Holes/13 Notches Bottom	Gum	1
5300T	N-5300-3		Squeegee Set		3
	N-5300-3C	630291	1-3/4"x1/8"x30" - 6 Holes/3 Slots	Tan Gum	1
	N-5300-3B	630340	1-3/8"x1/8"x28-7/8" - 9 Holes	Neo	1
	N-5300-3A	630344	2-3/4"x1/4"x31-3/4" - 9 Holes	Tan Gum	1
550	T-550-6		Squeegee Set		6
	T-550-6D	59617	2-1/2"x4" - 2 Holes	Plastic	1
	T-550-6C	75797	3-1/4"x1/4"x35-3/4" - 11 Holes	Tan Gum	1
	T-550-6A	76932	5"x3/8"x68-1/8" - 12 Holes	Tan Gum	1
	T-550-6B	76933	3"x1/4"x63-3/4" - 10 Holes/21 Slots	Tan Gum	1
5680-28	T-5728-2		28" Squeegee Set (Red)		2
	T-5728-2B	222381	2"x1/8"x38-3/4" - 13 Holes/5 Notches T&B	Red Gum	1
	T-5728-2A	222382	2"x1/4"x41" - 13 Holes	Red Gum	1
5680-32	T-5732-2		32" Squeegee Set (Red)		2
	T-5732-2B	222241	2"x1/8"x43" - 15 Holes/5 Notches T&B	Red Gum	1
	5-5732-2A	222242	2"x1/4"x45-1/2" - 15 Holes	Red Gum	1
5680-36	T-5736-2		Squeegee Set 36" (Red)		2
	T-5736-2B	222413	2"x1/8"x47" - 17 Holes/5 Notches T&B	Red Gum	1
	T-5736-2A	222415	2"x1/4"x49-1/4" - 17 Holes	Red Gum	1



TENNANT CONTINUED

TO FIT MACHINE	GRACO#	OEM#	SIZE	MATERIAL	# OF BLADES
5700-700	T-5728-2		28" Squeegee Set (Red)		2
	T-5728-2B	222381	2"x1/8"x38-3/4" - 13 Holes/5 Notches T&B	Red Gum	1
	T-5728-2A	222382	2"x1/4"x41" - 13 Holes	Red Gum	1
5700-800	T-5732-2		32" Squeegee Set (Red)		2
	T-5732-2B	222241	2"x1/8"x43" - 15 Holes/5 Notches T&B	Red Gum	1
	T-5732-2A	222242	2"x1/4"x45-1/2" - 15 Holes	Red Gum	1
5700-900	T-5736-2		36" Squeegee Set (Red)		2
	T-5736-2B	222413	2"x1/8"x47" - 17 Holes/5 Notches T&B	Red Gum	1
	T-5736-2A	222415	2"x1/4"x49-1/4" - 17 Holes	Red Gum	1
86	T-86-4D		2-7/8"x1/8"x67-1/2" - 15 Holes	Neo	1
	T-86-4C		2"x1/8"x68-1/4" - 16 Holes	Neo	1

WINDSOR

TO FIT MACHINE	GRACO#	OEM#	SIZE	MATERIAL	# OF BLADES
AD3200	WR-32-3A	067761601	3-3/4"x3/16"x49-1/4" - 10 Holes	Tan Gum	1
	WR-32-3C	067761602	2-3/4"x1/8"x46-3/8" - 10 Holes/13 Slots	Tan Gum	1
	WR-32-3B	067761603	3"x1/8"x48-3/4" - 10 Holes	Neo	1
Servomatic 17	TN-17-6C	067324142	27-1/8" Long - 8 Holes	Urethane	1
	TN-17-6A	067325143	1-9/16"x1/8"x27-1/4" - 8 Holes	Ridged Urethane	1
	TN-17-6B	069325141	27-1/8" Long - 8 Holes	Neo	1
	TN-17-6	199201002	Squeegee Set		6
Servomatic 26	WR-26-3A	0253700	3-3/4"x3/16"x39-1/2" - 10 Holes	Tan Gum	1
	WR-26-3C	0253707	2-3/4"x1/8"x37" - 12 Holes/13 Slots	Tan Gum	1
	WR-26-3B	0253701	3"x1/8"x38-3/4" - 10 Holes	Neo	1
	WR-26-3	0297185	Squeegee Kit		3
Servomatic 32	WR-32-3A	067761601	3-3/4"x3/16"x49-1/4" - 10 Holes	Tan Gum	1
	WR-32-3C	067761602	2-3/4"x1/8"x46-3/8" - 10 Holes/13 Slots	Tan Gum	1
	WR-32-3B	067761603	3"x1/8"x48-3/4" - 10 Holes	Neo	1
	WR-32-3	0253705	Squeegee Kit		3
	WR-32-3	612490	Squeegee Kit		3
Squeegee Tool	TN-16T-4	199201001	16" Squeegee Tool Squeegee Set		4
SS-20	N-20-4		Squeegee Set		4
	N-20-4A	27260	1-3/8"x3/32"x24" - 8 Holes/45 Notches	Urethane	1
	N-20-4B	27261	1-3/8"x3/32"x24" - 8 Holes	Urethane	1
SS27	N-27-4		Squeegee Set		4
	N-27-4A	240294	1-3/8"x1/8"x34-3/4" - 12 Holes	Urethane	1
	N-27-4B	240295	1-3/8"x1/8"x40-3/4" - 12 Holes/35 Notches	Urethane	1
SS33	N-33-4A	240292	1-5/16"x1/8"x40-3/4" - 14 Holes	Urethane	1
	N-33-4B	240293	1-3/8"x1/8"x40-3/4" - 14 Holes/41 Notches	Urethane	1
V-24-B	N-24-2		Squeegee Set		2
	N-24-2A		2-1/4"x1/4"x25-1/2" - 13 Holes	Gum	1



WINDSOR CONTINUED

TO FIT MACHINE	GRACO#	OEM#	SIZE	MATERIAL	# OF BLADES
Compact 17	W-24-2		Squeegee Set		2
	W-24-2A	73803	3-1/2"x1/4" X 36-3/4" - 8 Holes	Gum	1
Compact 20	W-24-2		Squeegee Set		2
	W-24-2B	73802	1-5/8"x1/4" X 34-3/4" - 7 Holes/3 Slits	Gum	1
	W-24-2A	73803	3-1/2"x1/4" X 36-3/4" - 8 Holes	Gum	1
Trident 20	W-24-2		Squeegee Set		2
Trident 24	W-24-2		Squeegee Set		2
	W-24-2B	73802	1-5/8"x1/4" X 34-3/4" - 7 Holes/3 Slits	Gum	1
	W-24-2A	73803	3-1/2"x1/4" X 36-3/4" - 8 Holes	Gum	1
Trident 28	W-28-2		Squeegee Set To Fit Tr-28		2
	W-28-2B	73794	3-1/2"x 3/16" Sq. Blade Front	Gum	1
	W-28-2A	73795	3-1/2"x1/4" X 44-1/2" Sq. Blade Rear	Gum	1



SQUEEGEE MAINTENANCE

Squeegees

CLARKE CONTINUED

CONTAINS		CONTAINS		
GRACO#	OEM #	GRACO #	PARTS	FITS
MKC-20	873403	C-G-1	Float Gasket	BP-20; TB-18
	703301	FC-1	Vac Filter	
	BP-20	C-20-3	Squeegee Set	
MKC-21	873403	C-G-1	Float Gasket	TB-21
	703301	FC-1	Vac Filter	
	TB-21	C-21-3	Squeegee Set	
MKC-24	873403	C-G-1	Float Gasket	TB-24
	703301	FC-1	Vac Filter	
	TB-24	C-24-3	Squeegee Set	
MKC-32	873403	C-G-1	Float Gasket	TB-32
	703301	FC-1	Vac Filter	
	TB-32	C-32-3	Squeegee Set	
MKC-60	833407	C-G-60	Drain Valve Gasket (2)	TB-80
	833308	C-G-61	Vac Filter	
	TB-60	C-G-63	Squeegee Set	
	833407	FC-60	Drain Valve Gasket (2)	
	833308	C-60-3	Vac Filter	
MKC-80	833402	C-G-63	Tank Gasket	TB-60DS; 2400, 2400D, 2400DS
	833403	FC-60	Tank Gasket	
	TB-80	C-G-60	Squeegee Set	
	833308	C-G-61	Vac Filter	
	34220B	C-80-3	Tank Gasket	
MKC-2400	833402	FC-60	Tank Gasket	3200D
	833407	C-G-80	Drain Valve Gasket (2)	
	830701	C-G-60	Pick Up Blade	
	830702	C-G-63	Back Up Blade	
	830707	C-60-3A	Urethane Front Blade	
	833308	C-60-3B	Vac Filter	
MKC-3200	34220B	C-2400-3C	Tank Gasket	TB-60; TB-60DS
	833402	FC-60	Tank Gasket	
	833407	C-G-80	Drain Valve Gasket (2)	
	830706	C-G-60	Pick Up Blade	
	830704	C-G-63	Back Up Blade	
	830708	C-80-3A	Urethane Front Blade	
	Tank	C-80-3B	Tank	
833402	Gasket	C-3200-3C	Gasket	
833403	Tank		Tank	
	Gasket		Gasket	

Squeegee Maintenance Kits



Squeegees

GRACO

GRACO#	OEM #	CONTAINS		PCS. PER SET	FITS
		GRACO #	PARTS		
F505122	701108	FC-4	Screen	1	Saturn 24
	701205	FB2496	Gasket	1	
	701207	FC-1	Filter	3	
	701208	C-G-2	Gasket	2	
	G-24-3	G-24-3	Squeegee Set	1	
F505121	701108	FC-4	Screen	1	Saturn 32
	701205	FB2496	Gasket	1	
	701207	FC-1	Filter	3	
	701208	C-G-2	Gasket	2	
	G-32-3	C-32-3	Squeegee Set	1	

NILFISK/ADVANCE

GRACO#	OEM #	CONTAINS		FITS
		GRACO #	PARTS	
MKA-17	385245	AD-G-11	Gasket	A17B; A17E
	385055	AD-G-8	Gasket	
	204001	AD-17-4	Squeegee Kit	
MKA-18	384245	AD-G-11	Gasket	A17B (New); A17E (New); A18E; A20B; A20E
	385055	AD-G-8	Gasket	
	204003	AD-18-4	Squeegee Kit	
MKA-20	385245	AD-G-11	Gasket	A20B (New)
	385055	AD-G-8	Gasket	
	204006	AD-21-4	Squeegee Kit	
MKA-21	385245	AD-G-11	Gasket	A21B; A210B
	385055	AD-G-8	Gasket	
	204004	AD-24-4	Squeegee Kit	
MKA-24	385245	AD-G-11	Gasket	A24B
	385055	AD-G-8	Gasket	
	204007	AD-24-4	Squeegee Kit	
MKA-24-2	385245	AD-G-11	Gasket	A26B
	385055	AD-G-8	Gasket, Tank	
	380922	FA-4	Foam Filter	
	384898	FA-1	Filter	
	375358	AD-G-16	Gasket	
	204007	AD-24-4	Squeegee Kit	
	385245	AD-G-11	Gasket, Lid	
MKA-26	375358	AD-G-16	Gasket, Vac	
	380922	FA-4	Filter Vac	
	384898	FA-1	Filter Vac	
	375358	AD-G-16	Gasket	
	550950	AD-26-4	Squeegee Kit	



NILFISK/ADVANCE CONTINUED

GRACO #	CONTAINS		PARTS	FITS
	OEM #	GRACO #		
MKA-260	385055	AD-G-11	Gasket Tank	A260B (After Serial # 776159)
	375335	AD-G-8	Gasket Vac	
	380922	FA-4	Filter Vac	
	384898	FA-1	Filter Vac	
	400613	AD-G-96	Gasket	
	372982	AD-26-C	Squeegee Cartridge	
MKA-280	385437	AD-G-10	Gasket, Vac	Trac 280
	384898	FA-1	Filter, Vac	
	376288	AD-280-C	Cartridge	
		AD-G-96	Gasket	
MKA-32	385245	AD-G-11	Gasket, Lid (2)	A32B, A32BD
	385055	AD-G-8	Gasket, Lid (2)	
	384898	FA-1	Gasket, Tank	
	380922	FA-4	Filter, Vac (2)	
	380918	FA-6	Filter, Vac (2)	
	204015	AD-32-4	Filter, Vac	
MKA-320	385245	AD-G-11	Gasket, Lid (2)	Trac 320
	385437	AD-G-10	Gasket, Vac	
	384898	FA-1	Filter, Vac	
	380922	FA-4	Filter, Vac	
	400613	AD-G-96	Gasket	
	377378	AD-38-C	Squeegee Cartridge	
MKA-38	385245	AD-G-11	Gasket, Lid (2)	A38B
	384898	FA-1	Filter, Vac (2)	
	380922	FA-4	Filter, Vac (2)	
	385055	AD-G-8	Gasket Tank	
	380918	FA-6	Filter, Vac	
	400586	AD-38-4	Squeegee Kit	
MKA-38-2	360384	AD-G-12	Gasket (2)	A32B; A32BD; A38B (Older Style With Double Squeegee)
	385055	AD-G-8	Gasket Tank	
	204008	AD-32-8	Squeegee Kit	



SQUEEGEE MISC.

AMERICAN-LINCOLN - MISC. SQUEEGEE PARTS

GRACO#	OEM #	DESCRIPTION
SAL-1	7-23-03010	Nut
SAL-3	7-76-00003	Spring

CLARKE

GRACO#	OEM #	FITS	DESCRIPTION
SC-10	55525A 25201A	Vision 21I, 26I, 26IX, 32I, 32IX, 38I Encore S20, L20, S28, L28, S33, L33, S38, L38	Squeegee Knob
SC-15	61653A	Vision 21I, 26I, 32I, 38I	Cable, Squeegee Lift
SC-60	832419	Leader 2400, 3200	Control Cable Solution
SC-65	61652A	81/66 (A/L), Vision 32IX, 32I, 26IX, 26I, 21I	Solution Cable - Vision 26-38

VACUUM GAUGE

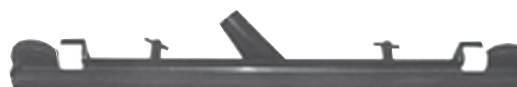
GRACO#	DESCRIPTION
VG-1	Vacuum Test Gauge, Marshalltown's Series 83 Gauge, Rubber Plug to Fit Vacuum Intake Opening

NILFISK/ADVANCE - SQUEEGEE LIFT CABLE ASSEMBLIES

GRACO#	OEM #	DESCRIPTION
SA-3	324036	Squeegee Lift Cable Upper (15-1/2")
SA-6	364186	Squeegee Lift Cable (28-1/4")
SA-7	384909	Squeegee Lift Cable (35-1/4")
SA-8	390773	Squeegee Lift Cable (36-1/4")
SA-11	364187	Cable Assembly (28")
SA-12	390766	Wire Rope (15")
SA-20	454150	Cable Assembly
SA-21	393081	Cable Squeegee Lift (31-1/4")
SA-22	171099 171373	Cable Handle Release (39-1/4")
SA-27	390774	Squeegee Lift Cable (34-1/4")
SA-29	324326	Squeegee Lift Cable Lower (14-5/8")



SA-7



MA-260-A



MA-26-A



SPA-3



SPA-5

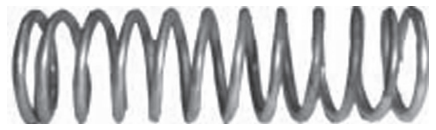


NILFISK/ADVANCE - SQUEEGEE CHANNELS

GRACO#	OEM #	DESCRIPTION	FITS
MA-260	372978	Channel Weldment	A-260-B
MA-260-A	372975	Squeegee Tool Assembly	A-260-B
MA-320	379578	Channel Weldment	A-320-B
MA-320-A	379575	Squeegee Tool Assembly	A-320-B
MA-320N	395792	Channel Weldment	32B, 32BD
MA-320N-A	395791	Squeegee Tool Assembly	32B, 32BD
SPA-3	370711	Thumb Nut	All Models
SPA-5	376485	Roller Assembly	All Models
	378376		

NILFISK/ADVANCE - SQUEEGEE WELDMENTS AND PARTS

GRACO#	OEM #	DESCRIPTION	FITS
MA-26-F	550818	Front Strap	A-26-B
MA-26-R	550819	Rear Strap	A-26-B
MA-32	379440	Squeegee Weldment Only	A-32-B
MA-32-R	474644	Rear Strap	A-32-B
SPA-3	370711	Thumb Nut	All Models



SAL-3



SC-10



SC-60

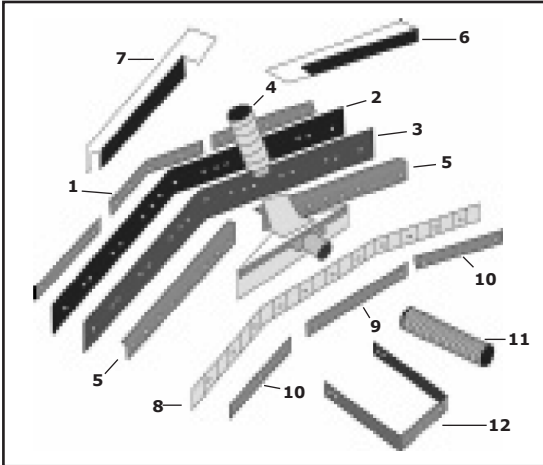


SC-65



VG-1

CLARKE



TB-60/2400

ITEM#	GRACO #	DESCRIPTION
1	MC-2400-CR	Retainer - Center Rear
2	C-60-3B	Blade - Squeegee Back-up
3	C-60-3A	Blade - Squeegee
4	VHC-60	Hose - Squeegee
5	MC-2400-SR	Support - Rear Blade
6	MC-2400-FL	Frame - Squeegee L.H.
7	MC-2400-FR	Frame - Squeegee R.H.
8	C-2400-3C	Blade - Front Serrated
9	MC-2400-RC	Retainer - Front Squeegee
10	MC-2400-RF	Retainer - Squeegee Assembly
11	SC-80	Spring - Squeegee

TB-80/3200

ITEM#	GRACO #	DESCRIPTION
1	MC-2400-CR	Retainer - Center Rear
2	MC-3200-RR	Retainer - Rear Blade
3	C-80-3B	Blade - Squeegee Back-up
4	C-80-3A	Blade - Squeegee
5	VHC-60	Hose - Squeegee
6	MC-3200-SR	Support - Rear Blade
7	MC-3200-FL	Frame - Squeegee L.H.
8	MC-3200-FR	Frame - Squeegee R.H.
9	C-3200-3C	Blade - Front Serrated
10	MC-2400-RC	Retainer - Front Squeegee
11	MC-3200-RF	Retainer - Squeegee Assembly
12	SC-80	Spring - Squeegee

